

# PoE Extender

WI-PE31E | WI-PE51E | WI-PE31G |  
WI-PE51G | WI-PE21E | WI-PE21G



## PoE Extender

Wi-Tek PoE Extender extends a PoE+/PoE++ network connection 100m with 100Mbps from the PoE power source equipment. DIP switch provides Extend mode( 250m Long range), and VLAN mode. No configuration is needed, quick provision and more flexible project adaptation.

## Key Features

- High power PoE output
- Compatible with 802.3af/at/bt PoE powered devices
- 250m long distance for PoE ports
- Port isolation for security
- Support desktop mount and wall mount
- Plug and play, zero configuration
- Forwards both Ethernet data and PoE power to remote device
- Cost-effective to extend your network

# Specifications

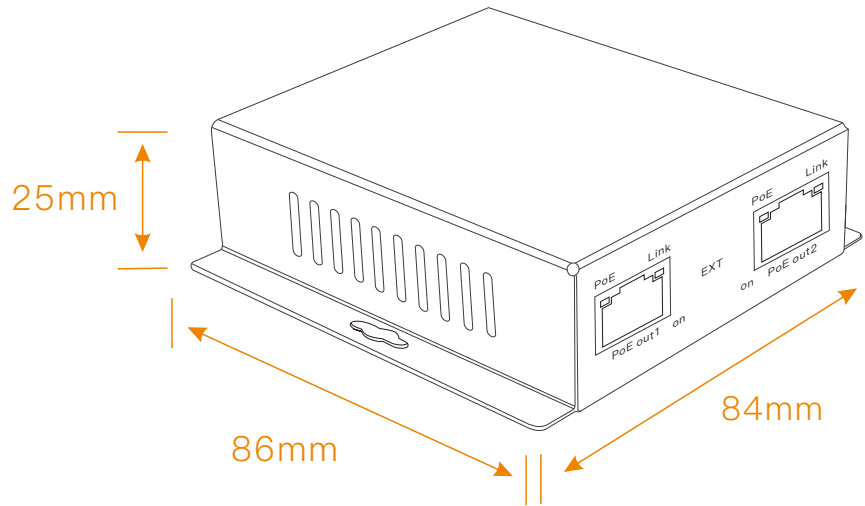


Model	WI-PE31E	WI-PE31G	WI-PE51E	WI-PE51G	WI-PE21E	WI-PE21G
<b>Hardware Specifications</b>						
Hardware Version	V1	V1	V1	V1	V1	V1
<b>Interfaces</b>						
Interfaces	PoE in port: 1 x 100Mbps PoE port with 802.3af/at 30W PoE output port: 2 x 100Mbps PoE port with 802.3af/at 30W 802.3af/at support auto MDI/MDI-X, auto-negotiation RJ-45Connector	PoE in port: 1 x 1000Mbps PoE port with 802.3af/at 30W PoE output port: 2 x 1000Mbps PoE port with 802.3af/at 30W 802.3af/at support auto MDI/MDI-X, auto-negotiation RJ-45Connector	PoE in port: 1 x 100Mbps PoE port with 802.3bt 60W PoE output port: 4 x 100Mbps PoE port with 802.3af/at 30W 1 x 100Mbps Ethernet port 802.3af/at support auto MDI/MDI-X, auto-negotiation RJ-45Connector	PoE in port: 1 x 1000Mbps PoE port with 802.3af/at 90W PoE output port: 4 x 1000Mbps PoE port with 802.3af/at 30W 802.3af/at support auto MDI/MDI-X, auto-negotiation RJ-45Connector	PoE in port: 1 x 100Mbps PoE port with 802.3af/at 30W PoE output port: 1 x 100Mbps PoE port with 802.3af/at 30W 802.3af/at support auto MDI/MDI-X, auto-negotiation RJ-45Connector	PoE in port: 1 x 1000Mbps PoE port with 802.3af/at 30W PoE output port: 1 x 1000Mbps PoE port with 802.3af/at 30W 802.3af/at support auto MDI/MDI-X, auto-negotiation RJ-45Connector
<b>PoE</b>						
PoE Port	3 10Mbps/100Mbps PoE ports	3 100Mbps/1000Mbps PoE ports	5 10Mbps/100Mbps PoE ports	5 100Mbps/1000Mbps PoE ports	2 10Mbps/100Mbps PoE ports	2 10Mbps/100Mbps PoE ports
<b>Power Supply</b>						
Input Power	PoE DC 37-57V 1.25A Max		PoE DC 37-57V 3.75A Max		PoE DC 37-57V 0.65A Max	
Output Power	802.3af/at					
<b>Physical Characteristics</b>						
LED Indicators	<p><b>pwr</b> On: the device power on is normal Off: the device is power off or failed</p> <p><b>Link</b> On: ports link up Off: ports link down Blinking: data on TX/RX</p> <p><b>PoE</b> On: PoE working Off: PoE not working <b>On:</b> The transmission of PoE output ports can be up to 250m, but the rate is limited to 10Mbps</p>		<p><b>P</b> On: the device power on is normal Off: the device is power off or failed</p> <p><b>Link</b> On: ports link up Off: ports link down Blinking: data on TX/RX</p> <p><b>PoE</b> On: PoE working Off: PoE not working</p> <p><b>E</b> On: Extend mode is enable Off: Extend mode is disable</p>		<p><b>pwr</b> On: the device power on is normal Off: the device is power off or failed</p> <p><b>Link</b> On: ports link up Off: ports link down Blinking: data on TX/RX</p>	

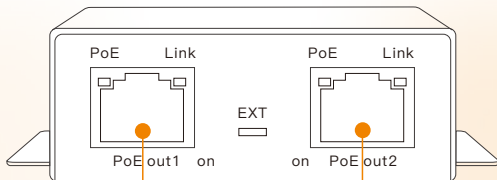
	<b>Off:</b> The transmission PoE output ports can be up to 100m with 100Mbps		<b>V</b> On: VLAN mode is enable Off: VLAN mode is disable		
Button	<b>Extend</b> On: the transmission of PoE output ports can be up to 250m, but the rate is limited to 10Mbps Off: the transmission of PoE output ports can be up to 100m with 100Mbps		<b>Default</b> The transmission of PoE output ports can be up to 100m with 100Mbps <b>VLAN</b> All downlink ports are isolated from each other, but can communicate with uplink ports <b>Extend</b> the transmission of PoE output ports can be up to 250m, but the rate is limited to 10Mbps		–
Fan Quantity	Fanless				
Extender Dimension	86*84*25 mm		140*80*27 mm		112*40*25 mm
Package Dimension	125*97*40 mm		193*95*32 mm		116*42*27 mm
Weight	Net Weight: 0.14 kg	Net Weight: 0.15 kg	Net Weight: 0.27 kg	Net Weight: 0.28 kg	Net Weight: 0.065 kg
	Package Weight: 0.18 kg	PackageWeight: 0.19 kg	Package Weight: 0.31 kg	Package Weight: 0.33 kg	Package Weight: 0.07 kg
Installation	Wall-Mounted, Desktop				
<b>Environmental</b>					
Reliability	Surge Immunity	IEC 61000-4-5 Common mode 3kV Differential mode 2kV			
	ESD Protection	IEC 61000-4-2 Contact discharge 6kV Air discharge 8kV			
Operating Temperature	0°C to 40°C(32°F to 104°F)				
Operating Humidity	5% ~ 90% RH no condensation				
Storage Temperature	-40°C to 75°C(-40°F to 185°F)				
Storage Humidity	5% ~ 95% RH no condensation				
<b>Others</b>					
Certification	CE, FCC, RoHS, UKCA, RCM				

WI-PE31E

Dimensions (mm)

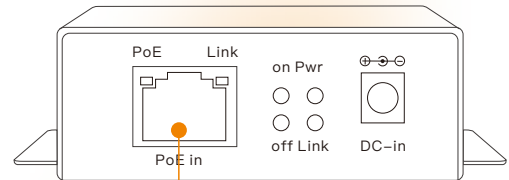


Front Panel



1 x 10/100Mbps PoE+ output port

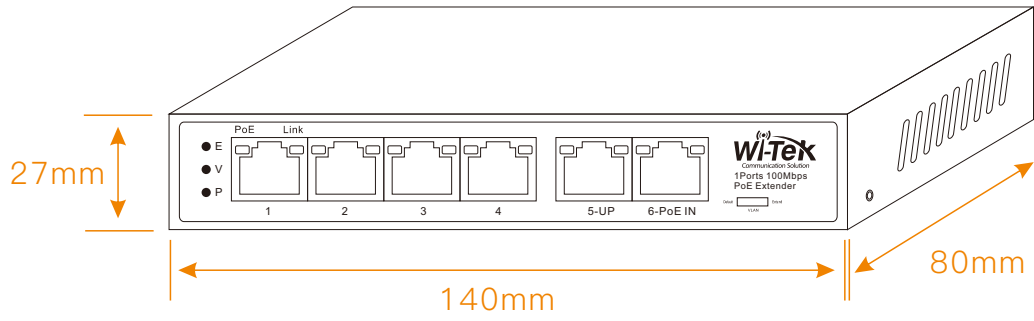
1 x 10/100Mbps PoE+ output port



1 x 10/100Mbps PoE+ input port

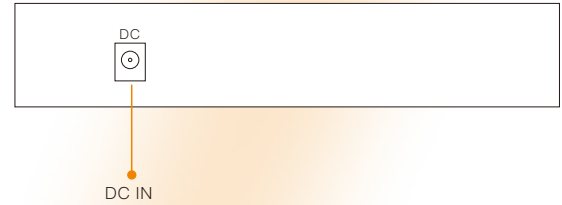
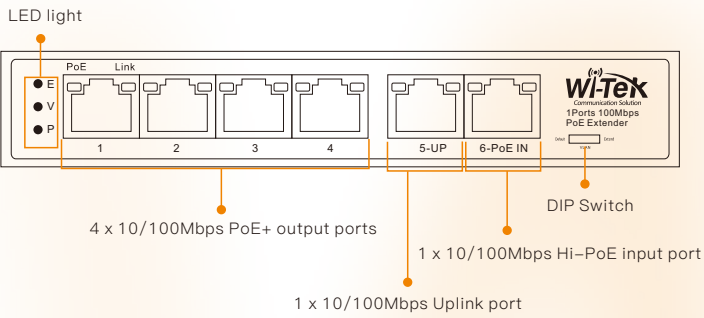
WI-PE51E

Dimensions (mm)



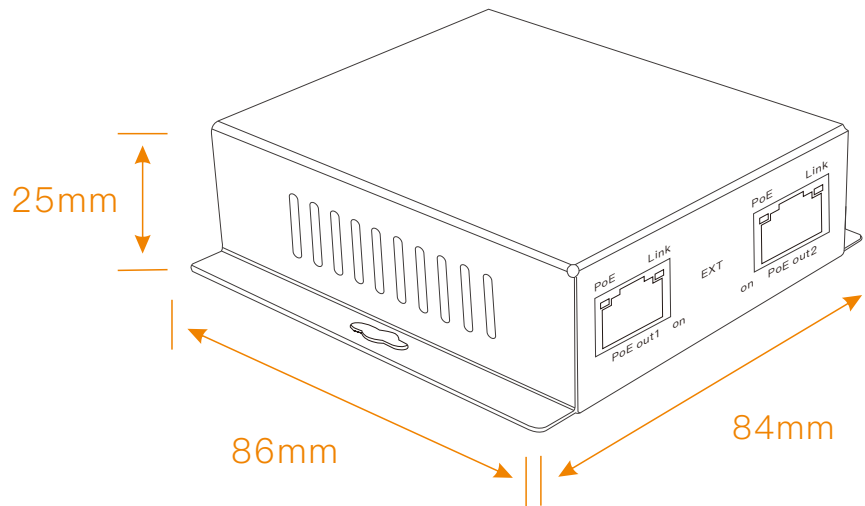
Front Panel

Side Panel

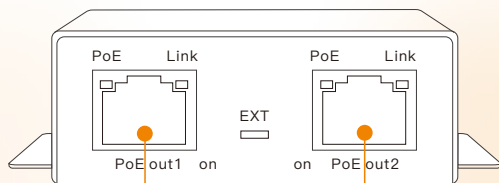


WI-PE31G

Dimensions (mm)



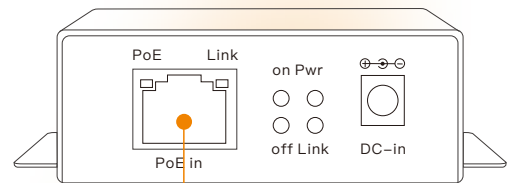
Front Panel



1 x 100/1000Mbps PoE+ output port

1 x 100/1000Mbps PoE+ output port

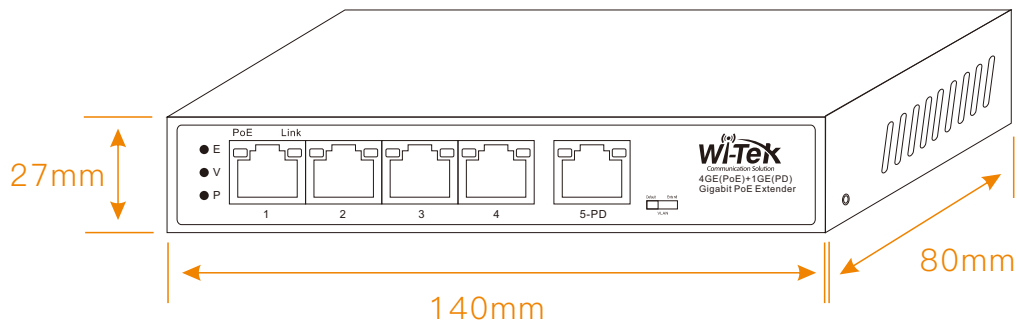
Side Panel



1 x 100/1000Mbps PoE+ input port

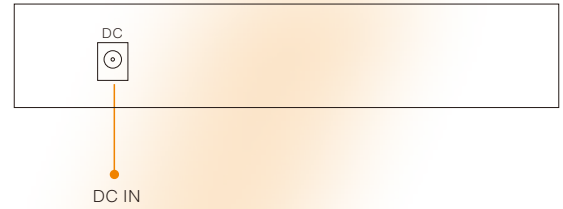
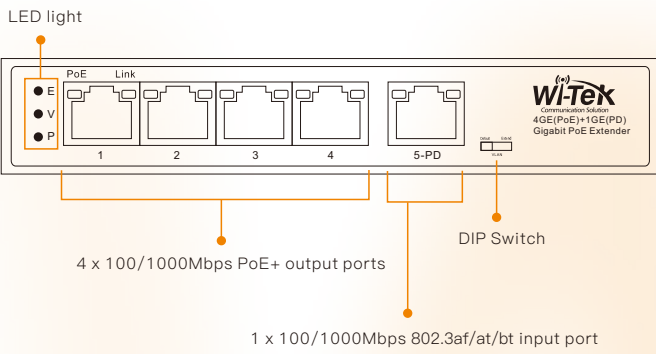
WI-PE51G

Dimensions (mm)



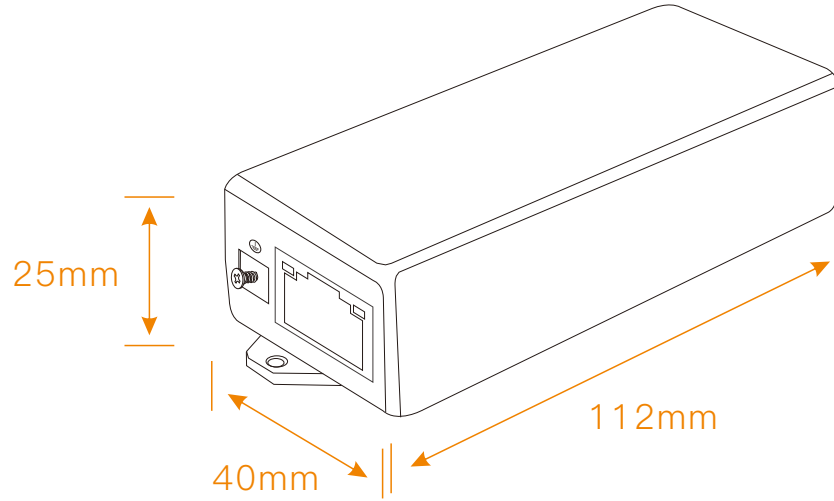
Front Panel

Side Panel

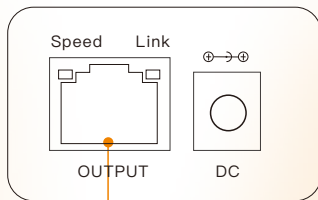


WI-PE21E

Dimensions (mm)

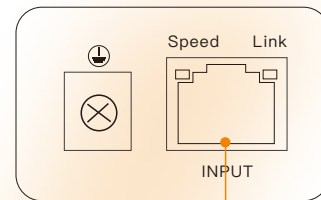


Front Panel



1 x 10/100Mbps PoE+ output port

Side Panel

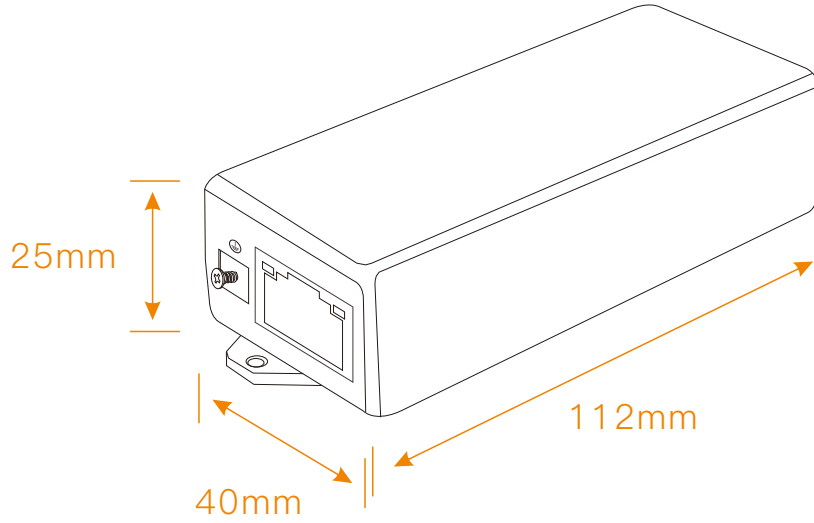


1 x 100/1000Mbps PoE+ input port

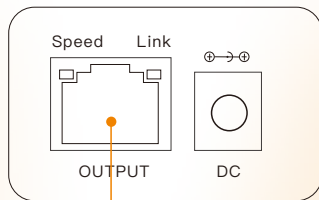


WI-PE21G

Dimensions (mm)

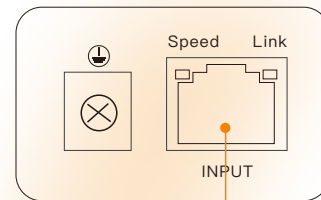


Front Panel



1 x 100/1000Mbps PoE+ input port

Side Panel



1 x 100/1000Mbps PoE+ output port

## Package Contents

Welcome to order our products. After purchasing, you will receive:

Items	Quantity
PoE Extender	1 pcs



Wireless-Tek Technology Limited

Address: Building 3, Units 1801-1807, 1812, Huaqiang Era Plaza, Tangwei Community, Fuhai Street, Bao'an District, Shenzhen City, Guangdong Province, China.

Website: [www.wireless-tek.com](http://www.wireless-tek.com)

Tel: 86-0755-32811290

Email: [sales@wireless-tek.com](mailto:sales@wireless-tek.com)

Technical Support: [tech@wireless-tek.com](mailto:tech@wireless-tek.com)



Technical Support



Cloud Management



Company Website