

RMA



**RMA** >

Welded cabinet with removable side panels  
and rear cover, IP20, capacity 400 kg



#### ■ Rigid construction

RMA has a robust welded construction. High quality processing and the newest technologies ensure a perfect look of the cabinet.



#### ■ Flexible door opening

The hinge system allows the door to open almost 180°. The door can be easily removed and re-mounted to change the direction of opening.



#### ■ Swing frame

It is possible to equip the RMA and RZA cabinets with the swing frame with loading capacity 100 kg. Maximum available depth of the 19" accessories is 330 mm.



#### ■ Triton handles

We manufacture our own handles for the free-standing cabinets. By changing the plastic module (not included), a traditional or semicylindrical lock insert can be used. PATENT: PUV 2013-27443



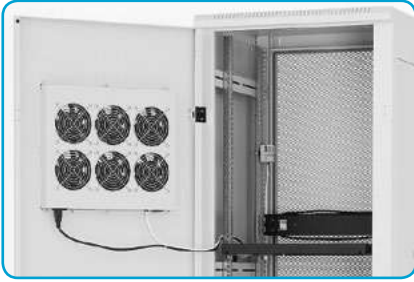
#### ■ Adjustable vertical rails

Vertical 19" rails can be adjusted freely in any depth of the cabinet. This simplifies mounting of the device and configuration of connecting cables.

#### ■ Removable side panels and rear cover

RMA has a welded frame and removable side panels. These are fixed as standard to the frame using a lock with the same key as the door and rear cover.





#### ■ Door for fan units

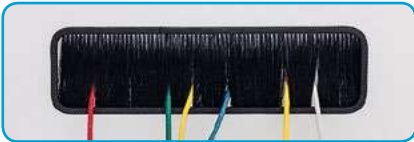
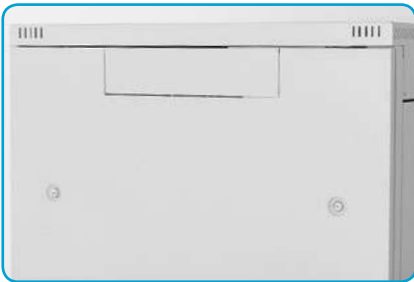
With this cabinet type, it is possible to order a special metal door ready for mounting RAX-CH-X0x-X3 fan units. Further information is available in the section Active cooling.



#### ■ Detail of fixture of the cabinet removable rear cover



#### ■ Detail of the removable side panel lock



#### ■ Break-out blanking panels

Entry openings for cables in the rear part of the cabinet are covered with breakout-type blanking panels. It is possible to use a blanking panel with a brush in cable opening to avoid dust penetration. The fringe edge serves to protect cables from damage (both are parts of the cabinet supply).

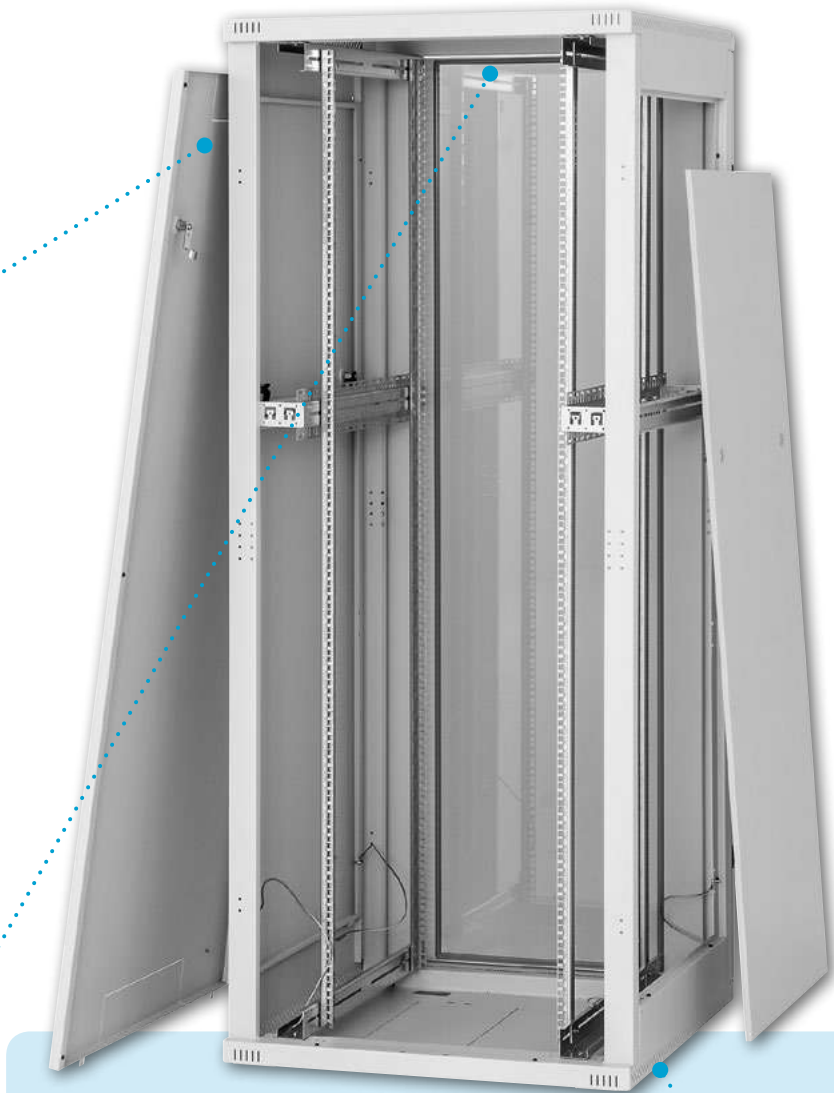


#### ■ Opening for a fan unit

A large opening covered with a breakout-type blanking panel enables mounting and removal of the Triton fan unit from outside of the cabinet without a need of using screws.

#### ■ Castors, levelling feet

Prepared for mounting castors and levelling feet.



#### ■ The back side of the cabinet

On the rear cover of the cabinet are two cable openings covered with breakout panels. One is at the top and one at the bottom of the rear cover. Other cable entries are on the ceiling and the base of the cabinet.





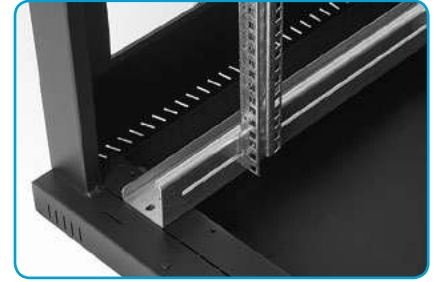
#### ■ Perforated frame

The RMA cabinet has a perforated frame to ensure cooling air has access to the equipment inside. Cooling can be augmented by installing fan units.



#### ■ Bonding

All removable parts are bonded together according to the relevant standards.



#### ■ Flex frame

(for cabinet of 800 mm width) This system enables sliding vertical rails to be installed in a span of 19", 21" and 23", just as needed for the equipment being used.



RMA 800 x 1000 mm

#### ■ Middle pair of vertical rails

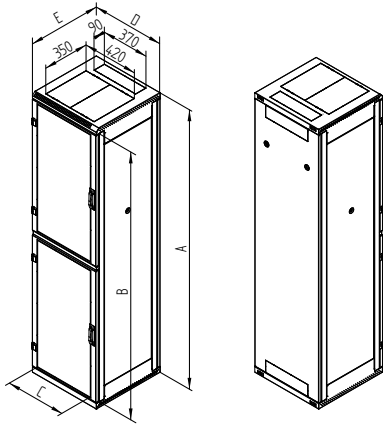
For cabinets deeper than 800 mm a third pair of vertical rails is supplied. An open profile means that the middle rails do not limit installation of deeper devices.





RMA 800 x 800 mm double box

RMA 800 x 800 mm



**RMA cabinet variants**

Full range on demand - please contact your supplier.



RMA 600 x 800 mm



RMA 600 x 1000 mm

**RMA 42U - double box (21U + 20U)**

Type	A	B	C	D	E	Weight gross (kg)	Weight net (kg)	Maximum recommended load (kg)
	(mm)							
RMA-42-A66-CAX-A12BAA	1970	1868	487	600	600	84,9	77,8	400
RMA-42-A68-CAX-A12BAA	1970	1868	487	600	800	97,5	89,2	
RMA-42-A69-CAX-A12BAA	1970	1868	487	600	900	104,8	94,6	
RMA-42-A61-CAX-A12BAA	1970	1868	487	600	1000	111,9	101,1	
RMA-42-A86-CAX-A12BAA	1970	1868	687	800	600	100,0	91,3	
RMA-42-A88-CAX-A12BAA	1970	1868	687	800	800	114,1	104,5	
RMA-42-A89-CAX-A12BAA	1970	1868	687	800	900	126,0	113,1	
RMA-42-A81-CAX-A12BAA	1970	1868	687	800	1000	133,9	120,5	

**RMA 45U - double box (22U + 22U)**

Type	A	B	C	D	E	Weight gross (kg)	Weight net (kg)	Maximum recommended load (kg)
	(mm)							
RMA-45-A66-CAX-A12BAA	2105	2003	487	600	600	89,1	82,0	400
RMA-45-A68-CAX-A12BAA	2105	2003	487	600	800	103,4	95,0	
RMA-45-A69-CAX-A12BAA	2105	2003	487	600	900	110,9	100,7	
RMA-45-A61-CAX-A12BAA	2105	2003	487	600	1000	116,2	105,4	
RMA-45-A86-CAX-A12BAA	2105	2003	687	800	600	105,5	96,8	
RMA-45-A88-CAX-A12BAA	2105	2003	687	800	800	120,8	110,9	
RMA-45-A89-CAX-A12BAA	2105	2003	687	800	900	130,4	117,4	
RMA-45-A81-CAX-A12BAA	2105	2003	687	800	1000	137,3	124,1	

**RMA 600 x 600**

Type	A	B	C	D	E	Weight gross (kg)	Weight net (kg)	Maximum recommended load (kg)
	(mm)							
RMA-15-A66-CAX-A1	770	668	487	600	600	38,0	33,0	400
RMA-18-A66-CAX-A1	900	798	487	600	600	42,0	38,0	
RMA-22-A66-CAX-A1	1080	978	487	600	600	47,0	42,0	
RMA-27-A66-CAX-A1	1300	1198	487	600	600	54,0	49,0	
RMA-32-A66-CAX-A1	1525	1423	487	600	600	60,0	55,0	
RMA-37-A66-CAX-A1	1750	1648	487	600	600	68,0	63,0	
RMA-42-A66-CAX-A1	1970	1868	487	600	600	75,0	70,0	
RMA-45-A66-CAX-A1	2105	2003	487	600	600	77,0	72,0	
RMA-47-A66-CAX-A1	2194	2092	487	600	600	81,0	76,0	

**RMA 600 x 800**

Type	A	B	C	D	E	Weight gross (kg)	Weight net (kg)	Maximum recommended load (kg)
	(mm)							
RMA-15-A68-CAX-A1	770	668	487	600	800	44,0	39,0	400
RMA-18-A68-CAX-A1	900	798	487	600	800	49,0	44,0	
RMA-22-A68-CAX-A1	1080	978	487	600	800	54,0	49,0	
RMA-27-A68-CAX-A1	1300	1198	487	600	800	62,0	57,0	
RMA-32-A68-CAX-A1	1525	1423	487	600	800	69,0	64,0	
RMA-37-A68-CAX-A1	1750	1648	487	600	800	77,0	72,0	
RMA-42-A68-CAX-A1	1970	1868	487	600	800	84,0	79,0	
RMA-45-A68-CAX-A1	2105	2003	487	600	800	90,0	85,0	
RMA-47-A68-CAX-A1	2194	2092	487	600	800	93,0	88,0	

**RMA 600 x 900**

Type	A	B	C	D	E	Weight gross (kg)	Weight net (kg)	Maximum recommended load (kg)
	(mm)							
RMA-15-A69-CAX-A1	770	668	487	600	900	47,0	42,0	400
RMA-18-A69-CAX-A1	900	798	487	600	900	53,0	48,0	
RMA-22-A69-CAX-A1	1080	978	487	600	900	59,0	54,0	
RMA-27-A69-CAX-A1	1300	1198	487	600	900	67,0	62,0	
RMA-32-A69-CAX-A1	1525	1423	487	600	900	76,0	71,0	
RMA-37-A69-CAX-A1	1750	1648	487	600	900	84,0	79,0	
RMA-42-A69-CAX-A1	1970	1868	487	600	900	91,0	86,0	
RMA-45-A69-CAX-A1	2105	2003	487	600	900	96,0	91,0	
RMA-47-A69-CAX-A1	2194	2092	487	600	900	99,0	94,0	

**RMA 600 x 1000**

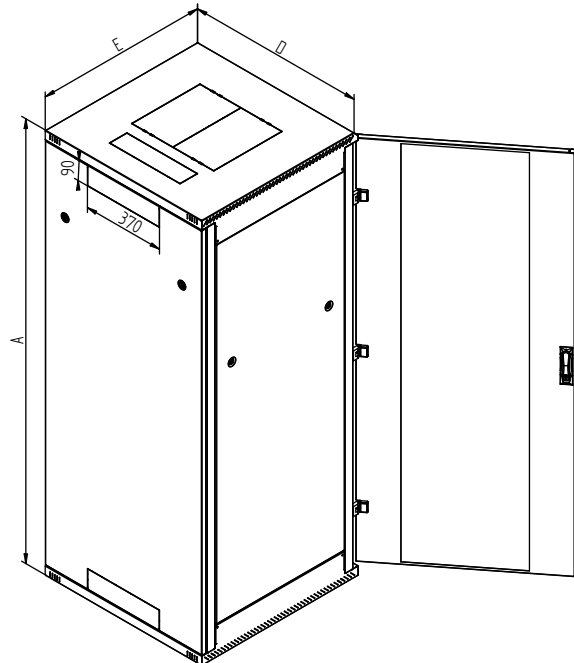
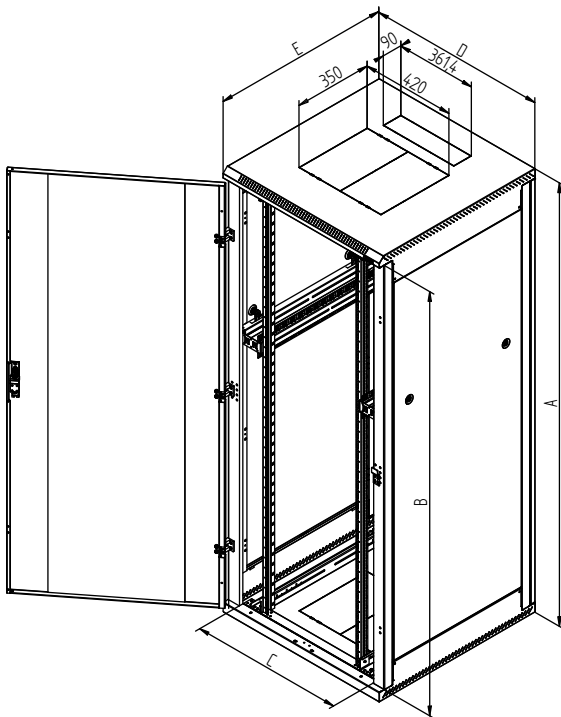
Type	A	B	C	D	E	Weight gross (kg)	Weight net (kg)	Maximum recommended load (kg)
	(mm)							
RMA-15-A61-CAX-A1	770	668	487	600	1000	51,0	46,0	400
RMA-18-A61-CAX-A1	900	798	487	600	1000	55,0	50,0	
RMA-22-A61-CAX-A1	1080	978	487	600	1000	63,0	58,0	
RMA-27-A61-CAX-A1	1300	1198	487	600	1000	70,0	65,0	
RMA-32-A61-CAX-A1	1525	1423	487	600	1000	80,0	75,0	
RMA-37-A61-CAX-A1	1750	1648	487	600	1000	88,0	83,0	
RMA-42-A61-CAX-A1	1970	1868	487	600	1000	96,0	91,0	
RMA-45-A61-CAX-A1	2105	2003	487	600	1000	101,0	96,0	
RMA-47-A61-CAX-A1	2194	2092	487	600	1000	104,0	99,0	

### RMA 600 x 1100

Type	A	B	C	D	E	Weight gross (kg)	Weight net (kg)	Maximum recommended load (kg)
	(mm)							
RMA-15-A60-CAX-A1	770	668	487	600	1100	55,0	50,0	400
RMA-18-A60-CAX-A1	900	798	487	600	1100	59,0	54,0	
RMA-22-A60-CAX-A1	1080	978	487	600	1100	66,0	61,0	
RMA-27-A60-CAX-A1	1300	1198	487	600	1100	72,0	67,0	
RMA-32-A60-CAX-A1	1525	1423	487	600	1100	81,0	76,0	
RMA-37-A60-CAX-A1	1750	1648	487	600	1100	90,0	85,0	
RMA-42-A60-CAX-A1	1970	1868	487	600	1100	99,0	94,0	
RMA-45-A60-CAX-A1	2105	2003	487	600	1100	103,0	98,0	
RMA-47-A60-CAX-A1	2194	2092	487	600	1100	106,0	101,0	

### RMA 600 x 1200

Type	A	B	C	D	E	Weight gross (kg)	Weight net (kg)	Maximum recommended load (kg)
	(mm)							
RMA-15-A62-CAX-A1	770	668	487	600	1200	59,0	54,0	400
RMA-18-A62-CAX-A1	900	798	487	600	1200	63,0	59,0	
RMA-22-A62-CAX-A1	1080	978	487	600	1200	70,0	65,0	
RMA-27-A62-CAX-A1	1300	1198	487	600	1200	74,0	69,0	
RMA-32-A62-CAX-A1	1525	1423	487	600	1200	83,0	78,0	
RMA-37-A62-CAX-A1	1750	1648	487	600	1200	94,0	89,0	
RMA-42-A62-CAX-A1	1970	1868	487	600	1200	103,0	98,0	
RMA-45-A62-CAX-A1	2105	2003	487	600	1200	107,0	102,0	
RMA-47-A62-CAX-A1	2194	2092	487	600	1200	110,0	105,0	



**RMA 800 x 600**

Type	A	B	C	D	E	Weight gross (kg)	Weight net (kg)	Maximum recommended load (kg)
	(mm)							
RMA-15-A86-CAX-A1	770	668	687	800	600	40,0	35,0	400
RMA-18-A86-CAX-A1	900	798	687	800	600	47,0	42,0	
RMA-22-A86-CAX-A1	1080	978	687	800	600	52,0	47,0	
RMA-27-A86-CAX-A1	1300	1198	687	800	600	59,0	54,0	
RMA-32-A86-CAX-A1	1525	1423	687	800	600	67,0	62,0	
RMA-37-A86-CAX-A1	1750	1648	687	800	600	83,0	78,0	
RMA-42-A86-CAX-A1	1970	1868	687	800	600	90,0	85,0	
RMA-45-A86-CAX-A1	2105	2003	687	800	600	94,0	89,0	
RMA-47-A86-CAX-A1	2194	2092	687	800	600	96,0	91,0	

**RMA 800 x 800**

Type	A	B	C	D	E	Weight gross (kg)	Weight net (kg)	Maximum recommended load (kg)
	(mm)							
RMA-15-A88-CAX-A1	770	668	687	800	800	55,0	49,0	400
RMA-18-A88-CAX-A1	900	798	687	800	800	61,0	55,0	
RMA-22-A88-CAX-A1	1080	978	687	800	800	67,0	61,0	
RMA-27-A88-CAX-A1	1300	1198	687	800	800	78,0	72,0	
RMA-32-A88-CAX-A1	1525	1423	687	800	800	86,0	80,0	
RMA-37-A88-CAX-A1	1750	1648	687	800	800	94,0	88,0	
RMA-42-A88-CAX-A1	1970	1868	687	800	800	102,0	96,0	
RMA-45-A88-CAX-A1	2105	2003	687	800	800	107,0	101,0	
RMA-47-A88-CAX-A1	2194	2092	687	800	800	111,0	106,0	

**RMA 800 x 900**

Type	A	B	C	D	E	Weight gross (kg)	Weight net (kg)	Maximum recommended load (kg)
	(mm)							
RMA-15-A89-CAX-A1	770	668	687	800	900	61,0	55,0	400
RMA-18-A89-CAX-A1	900	798	687	800	900	66,0	60,0	
RMA-22-A89-CAX-A1	1080	978	687	800	900	73,0	67,0	
RMA-27-A89-CAX-A1	1300	1198	687	800	900	85,0	79,0	
RMA-32-A89-CAX-A1	1525	1423	687	800	900	94,0	88,0	
RMA-37-A89-CAX-A1	1750	1648	687	800	900	101,0	95,0	
RMA-42-A89-CAX-A1	1970	1868	687	800	900	109,0	103,0	
RMA-45-A89-CAX-A1	2105	2003	687	800	900	117,0	111,0	
RMA-47-A89-CAX-A1	2194	2092	687	800	900	124,0	118,0	

**RMA 800 x 1000**

Type	A	B	C	D	E	Weight gross (kg)	Weight net (kg)	Maximum recommended load (kg)
	(mm)							
RMA-15-A81-CAX-A1	770	668	687	800	1000	65,0	59,0	400
RMA-18-A81-CAX-A1	900	798	687	800	1000	70,0	64,0	
RMA-22-A81-CAX-A1	1080	978	687	800	1000	78,0	73,0	
RMA-27-A81-CAX-A1	1300	1198	687	800	1000	87,0	81,0	
RMA-32-A81-CAX-A1	1525	1423	687	800	1000	97,0	91,0	
RMA-37-A81-CAX-A1	1750	1648	687	800	1000	107,0	101,0	
RMA-42-A81-CAX-A1	1970	1868	687	800	1000	116,0	110,0	
RMA-45-A81-CAX-A1	2105	2003	687	800	1000	122,0	117,0	
RMA-47-A81-CAX-A1	2194	2092	687	800	1000	126,0	120,0	

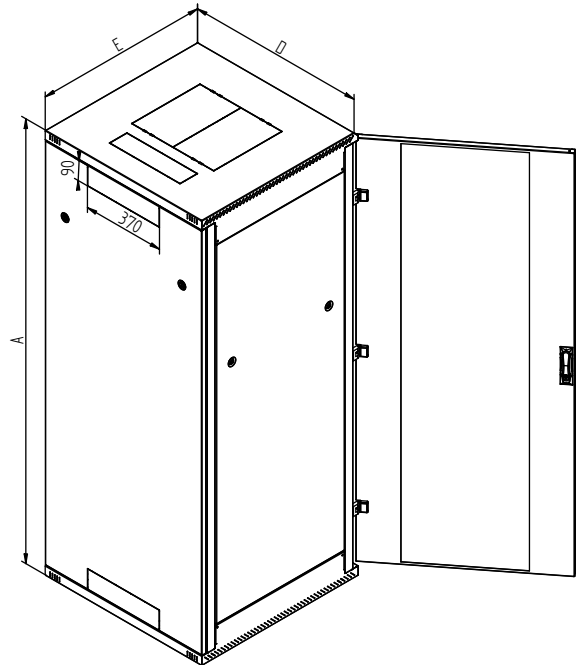
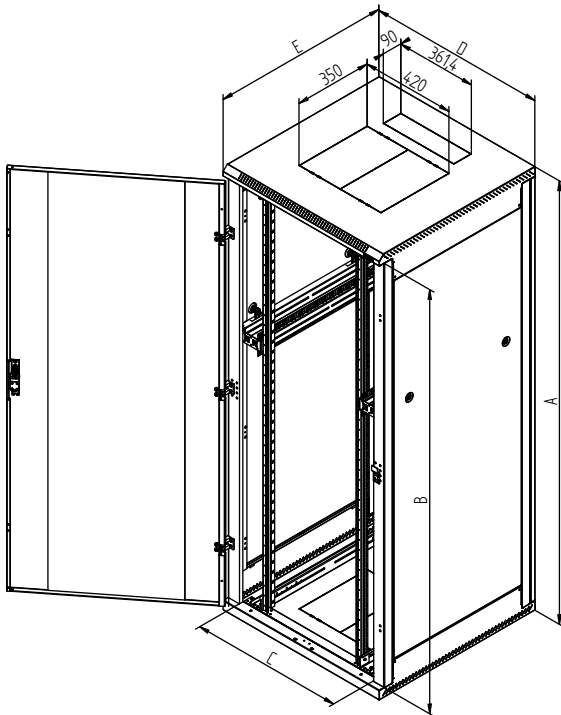


### RMA 800 x 1100

Type	A	B	C	D	E	Weight gross (kg)	Weight net (kg)	Maximum recommended load (kg)
	(mm)							
RMA-15-A80-CAX-A1	770	668	687	800	1100	69,0	64,0	400
RMA-18-A80-CAX-A1	900	798	687	800	1100	74,0	69,0	
RMA-22-A80-CAX-A1	1080	978	687	800	1100	81,0	76,0	
RMA-27-A80-CAX-A1	1300	1198	687	800	1100	89,0	84,0	
RMA-32-A80-CAX-A1	1525	1423	687	800	1100	99,0	94,0	
RMA-37-A80-CAX-A1	1750	1648	687	800	1100	109,0	104,0	
RMA-42-A80-CAX-A1	1970	1868	687	800	1100	119,0	114,0	
RMA-45-A80-CAX-A1	2105	2003	687	800	1100	125,0	120,0	
RMA-47-A80-CAX-A1	2194	2092	687	800	1100	129,0	124,0	

### RMA 800 x 1200

Type	A	B	C	D	E	Weight gross (kg)	Weight net (kg)	Maximum recommended load (kg)
	(mm)							
RMA-15-A82-CAX-A1	770	668	687	800	1200	73,0	68,0	400
RMA-18-A82-CAX-A1	900	798	687	800	1200	78,0	73,0	
RMA-22-A82-CAX-A1	1080	978	687	800	1200	85,0	80,0	
RMA-27-A82-CAX-A1	1300	1198	687	800	1200	93,0	88,0	
RMA-32-A82-CAX-A1	1525	1423	687	800	1200	102,0	97,0	
RMA-37-A82-CAX-A1	1750	1648	687	800	1200	112,0	107,0	
RMA-42-A82-CAX-A1	1970	1868	687	800	1200	123,0	118,0	
RMA-45-A82-CAX-A1	2105	2003	687	800	1200	129,0	124,0	
RMA-47-A82-CAX-A1	2194	2092	687	800	1200	133,0	127,0	





## RMA free-standing cabinet

### ■ Description, purpose of use

- 19" free-standing cabinet with IP20 protection.
- Cabinet includes 4 sliding vertical rails for device mounting (6 rails for cabinets deeper than 800 mm).
- Cabinet construction:
  - Welded steel frame with removable side panels.
  - Single or double doors in all metal versions, perforated (80 % and 86 % air permeability) or glazed with safety tempered glass 4 mm. They can be on the front or back of the cabinet.
- Max. permissible load of the door is 20 kg.
- Min. thickness of the surface finish is 65 µm.
- These cabinets are intended for installation data and telecommunication devices and their distribution systems.
- The frame of the cabinet and all the removable parts (side and rear covers, doors...) are bonded with patch cables that have to be properly fixed and inserted into connectors throughout the period of use of the cabinet.
- There is one M8 screw placed on the bottom part of the cabinet to connect the bonding.
- Cable openings covered with breakout-type blanking panels are placed in the top and the bottom part of the cabinet
- Maximum recommended loading capacity of the cabinet is 400 kg.

### ■ Operating conditions

- Operating environment:
  - Office.
  - The cabinet is not intended for outdoor installations and for installations in environment that can influence negatively the functionality of the cabinet and the mounted devices (e.g. environment with danger of explosion or humid and wet surroundings).
- Must be protected against:
  - Mechanical damage.
  - Improper handling.
  - A different usage than the cabinet is intended for.
- Improper handling is especially:
  - Overloading (exceeding the maximum recommended load).
  - Installing devices which may negatively influence the operation and function of the cabinet or the installed equipment.
  - Change of the construction or design of the cabinet.

### ■ Installation of the cabinet

- To ensure the maximum recommended load, it is necessary to distribute the load equally.
- Place the cabinet on a flat floor and adjust any differences using the levelling feet.
- To avoid dust penetration in the case where cables lead through some of the cable openings, it may be sealed with a blanking panel with a brush or secured by a plastic frame (both are included in the delivery).

### ■ Environmental protection

- All parts are made of recyclable materials and after decommissioning the cabinet, it must be disposed of according to relevant regulations

### ■ Certificate and conformity

- This product is certified with ITI TÜV, number of certificate 06.140.501/r3, date 21/08/2014 and is fully in accordance with ČSN EN 62208 ed.2:2012(EN 62208:2011).

