

YJP5474-28-1-R

## Radar-Assisted Speed LED Display



Radar-Assisted Speed LED Display makes it convenient for drivers and all round, to see the real-time speed. Drivers can be reminded to keep speed within limits. Moreover, with user-friendly software tools, operators can configure it easily.

- Adopts high-frequency band and millimeter-wave radar, supporting to work in all-weather conditions.
- High spatial resolution and strong penetrability, free from the influences of illumination, visibility, severe weather, etc.
- Max. 100 m detection distance and up to 64 targets can be detected.
- Supports to install on the lane or at the sides of the lane. Easy installation and debugging.
- Supports to set the speed threshold.
- Supports to select the speed unit as mile or kilometer via dialing.
- Supports to select the vehicle speed display duration among 1 to 8 s via dialing.
- Supports to distinguish the vehicle speed information by color: When the vehicle speed is within the limit, the value will be displayed as green. When the vehicle is speeding, the value will be displayed as red, and the information of "SLOW DOWN" will be displayed.
- High brightness and low power LED technology.
- The radar supports free software configuration. You can view the vehicles and debug via the software.

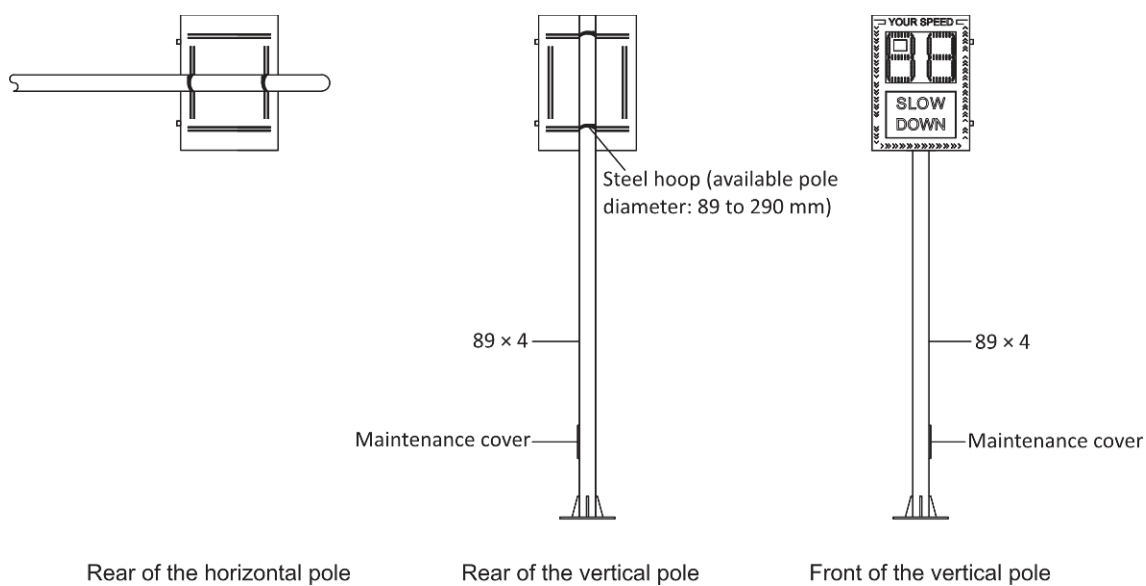
## ▪ Specification

<b>Radar</b>	
Detection Distance	20 to 100 m
Speed Range	2 to 99 km/h
Horizontal Detection Angle	± 22°
Vertical Detection Angle	± 10°
Detection Accuracy	± 2 km/h
<b>Network</b>	
Protocols	Supports private protocols.
<b>Interface</b>	
Ethernet Interface	1 RJ45 100 M self-adaptive Ethernet port (s)
<b>General</b>	
Power	12 VDC, max. current 4.2 A. Average 13 W, max. 15 W.
Material	Galvanized steel plate with electrostatic spraying and reflective film.
Dimension	740 mm × 535 mm × 111 mm (29.08" × 21.03" × 4.36")
Weight	With package: 18 ± 0.5 kg (39.7 ± 1.1) lb. Without package: 15.6 ± 0.5 kg (34.4 ± 1.1) lb.
Operating Condition	-30 °C to 70 °C (-22 °F to 158 °F). Humidity: 5% to 95% (non-condensing)
<b>Approval</b>	
Protection	IP65
<b>Warning Screen</b>	
LED Light Bead	SLOW DOWN: 147 × red beads Speed: 196 × red beads and 196 × green beads
Monotube Current	≤ 20 mA
LED Wave Length	Red: 4500 to 7200 mcd/625 ± 5 nm Green: 6000 to 10800 mcd/506 ± 3 nm
Central Light Strength	150 to 400 cd
LED Visual Angle	≥ 30°
LED Service Life	≥ 100,000 hours

▪ Typical Application



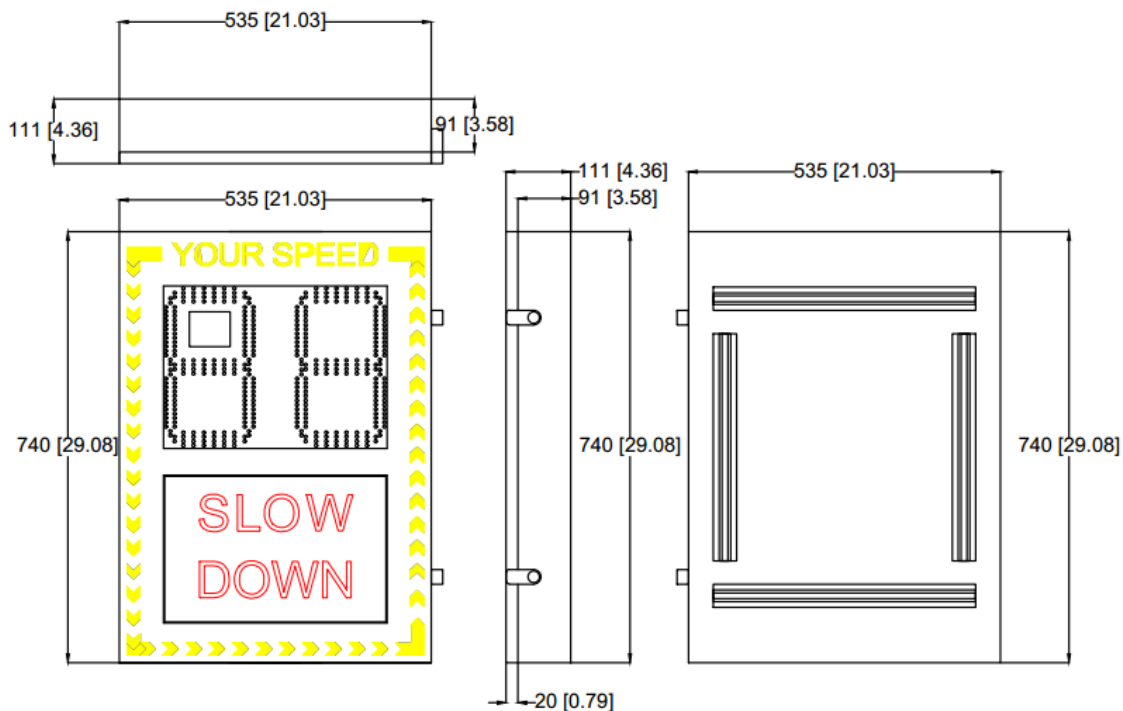
▪ Installation



▪ Available Model

YJP5474-28-1-R

▪ Dimension



Unit: mm (inch)

L × W × H: 740 mm × 535 mm × 111 mm  
(29.08" × 21.03" × 4.36")

**Headquarters**

No.555 Qianmo Road, Binjiang District,  
Hangzhou 310051, China  
T +86-571-8807-5998  
www.hikvision.com



Follow us on social media to get the latest product and solution information.

