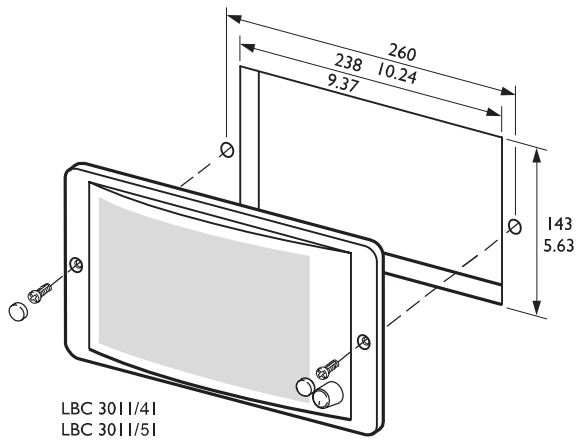


Frequency response

| Octave band (Hz) | 125  | 250  | 500  | 1k   | 2k   | 4k   | 8k   |
|------------------|------|------|------|------|------|------|------|
| SPL 1,1          | 85   | 90   | 88   | 88   | 92   | 90   | 89   |
| SPL max.         | 93   | 98   | 96   | 96   | 100  | 98   | 97   |
| Q-factor         | 5.1  | 3.9  | 2.1  | 3.7  | 7.4  | 9.1  | 31.6 |
| Efficiency       | 0.08 | 0.32 | 0.37 | 0.21 | 0.27 | 0.14 | 0.03 |
| Hor. angle       | 180  | 180  | 160  | 160  | 115  | 85   | 45   |
| Vert. angle      | 180  | 180  | 160  | 180  | 85   | 100  | 50   |

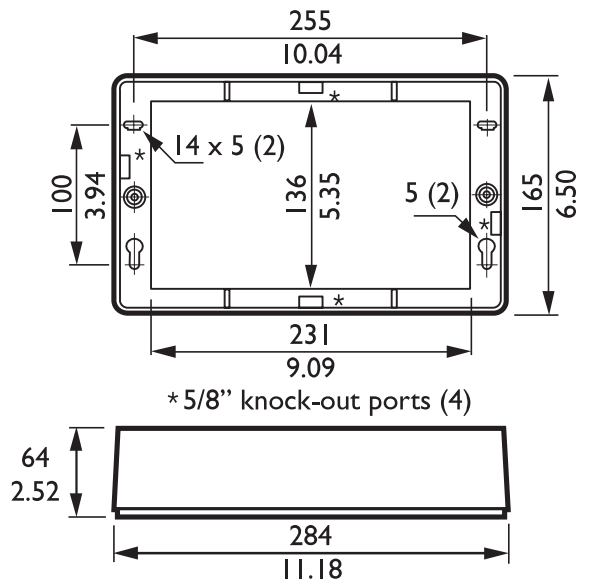
Quick reference table



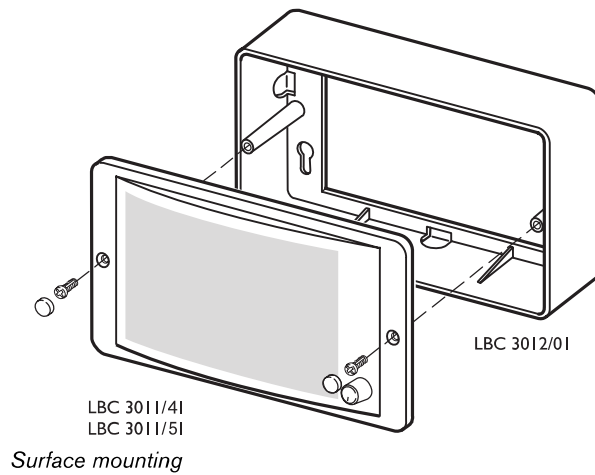
Recessed mounting in walls an ceilings

Two mounting boxes are available for surface mounting onto hard surfaces or flush-mounting into non-cavity walls. The LBC 3012/01 accommodates the panel loudspeaker for a self-contained unit for surface mounting.

3012/01 Mounting Box for Surface Mounting

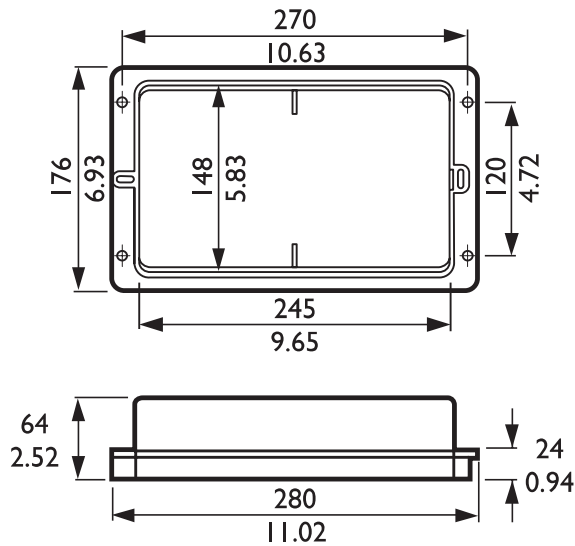


Dimensions (in mm and inch)

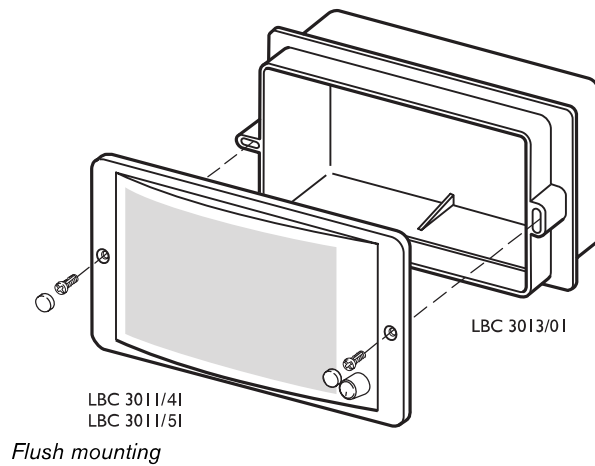


Surface mounting

3013/01 Mounting Box for Flush Mounting



Dimensions (in mm and inch)



Flush mounting

Technical Specifications

Electrical\* LBC 3011/41 and LBC 3011/51

|   |                            |
|---|----------------------------|
| Max. Power                                      | 9 W                        |
| Rated Power (PHC)                               | 6 W (6 – 3 – 1.5 – 0.75 W) |
| Sound Pressure Level at 6 W/1 W (at 1 kHz, 1 m) | 96 dB/88 dB (SPL)          |
| Effective Frequency Range (-10 dB)              | 75 Hz to 18 kHz            |
| Opening Angle (at 1 kHz/4 kHz, -6 dB)           |                            |
| Horizontal                                      | 160° / 85°                 |
| Vertical  | 180° / 100°                |
| Rated Voltage                                   | 100 V                      |
| Rated Impedance                                 | 1667 ohm                   |
| Speaker Size                                    | 2" / 4"                    |
| Magnet Weight                                   | 48 g/150 g (1.7 oz/5.3 oz) |

Mechanical

|                          |  |
|--------------------------|--|
| Connection               | 2-pole screw connector                         |
| Dimensions (H x W x D)   | 165 x 284 x 59.5 mm (6.49 x 11.18 x 2.34 inch) |
| Mounting Cut-Out (H x W) | 143 x 238 mm (5.63 x 9.37 inch)                |
| Color                    | white (RAL 9010)                               |
| Weight                   | 1.2 kg (2.64 lb)                               |

Environmental

|                     |               |
|---------------------|---------------|
| Ambient Temperature | -25 to +55 °C |
|---------------------|---------------|

Mechanical LBC 3012/01

|                        |  |
|------------------------|--|
| Dimensions (H x W x D) | 165 x 284 x 64 mm (6.49 x 11.18 x 2.52 inch) |
| Color                  | white (RAL 9010)                             |
| Weight                 | 238 g (8.40 oz)                              |

Mechanical LBC 3013/01

|                        |  |
|------------------------|--|
| Dimensions (H x W x D) | 176 x 280 x 64 mm (6.49 x 11.18 x 2.52 inch) |
| Color                  | white (RAL 9010)                             |
| Weight                 | 307 g (10.83 oz)                             |

\*) Technical performance data acc. to IEC 60268-5

Ordering Information

Model & Description

LBC 3011/41 Panel Loudspeaker without Volume Control

LBC 3011/51 Panel Loudspeaker with Volume Control

Hardware Accessories

LBC 3012/01 Surface Mounting Box

LBC 3013/01 Flush Mounting Box